

INNOTECH® BEF-303



Instruction manual

DE – ACHTUNG: Die Verwendung des INNOTECH-Produkts ist erst zulässig, nachdem die Gebrauchsanleitung in der jeweiligen Landessprache vollständig gelesen und verstanden wurde.

EN – ATTENTION: Use of the INNOTECH product is only permitted after the instruction manual has been read and fully understood in the respective language.

IT – ATTENZIONE: L'utilizzo del prodotto INNOTECH è permesso solo previa lettura e comprensione dell'intero manuale di istruzioni nella lingua del relativo paese di utilizzo.

FR – ATTENTION : L'utilisation du produit INNOTECH n'est autorisée qu'après avoir entièrement lu et compris la notice d'utilisation dans la langue du pays concerné.

NL – ATTENTIE: Dit INNOTECH-product mag pas gebruikt worden nadat u de gebruikershandleiding in de taal van het betreffende land gelezen en begrepen hebt.

SV – OBS: Denna INNOTECH-produkt får inte användas förrän bruksanvisningen på respektive lands språk har lästs igenom och förståtts.

DK – GIV AGT: Du må først bruge et produkt fra Innotech, efter du har læst og forstået brugsvejledningen i fuldt omfang i dit lands sprog.

ES – ATENCIÓN: Se autorizará el uso de los productos INNOTECH una vez que se hayan leído y entendido las instrucciones de uso en el idioma del país.

PT – ATENÇÃO: O uso do produto INNOTECH apenas é permitido depois de ter lido e compreendido na totalidade as instruções de uso na respetiva língua nacional.

PL – UWAGA: Produkty firmy INNOTECH mogą być używane dopiero po dokładnym zapoznaniu się z całą instrukcją obsługi w ojczystym języku.

TR – DİKKAT: INNOTECH ürününün kullanimina ancak ilgili ülkenin dilinde sunulmuş olan kullanım kılavuzunun tamamen okunmasından ve anlaşılmasından sonra izin verilir.

SL – POZOR: Uporaba izdelka INNOTECH je dovoljena šele po tem, ko ste navodila prebrali v celoti v ustreznem jeziku svoje dežele in jih tudi razumeli.

CZ – POZOR: Práce s výrobkem INNOTECH je povolena teprve po kompletním přečtení a porozumění návodu k použití v jazyku daného státu.

SK – POZOR: Produkt INNOTECH môžete používať až po prečítaní a porozumení celého návodu na použitie pre príslušnú krajinu.

HU – FIGYELEM: Az INNOTECH termékek használatá csak azt követően engedélyezett, hogy saját nyelvéen elolvasta és megértette a teljes használati utasítást.

ZH – 注意: 只有在仔细阅读并完全理解了当地语言的使用说明后,才能使用 INNOTECH 公司的产品。

1

TABLE OF CONTENTS

[2]	DESCRIPTION OF ICONS	2
[3]	COMPONENTS / MATERIAL	3
[4]	DIMENSIONS	4
[5]	INSTALLATION TOOL	5
[6]	INSTALLATION	5
[7]	DEVELOPMENT & SALES	9

2

DESCRIPTION OF ICONS

Warning/danger information



For an IMMEDIATE threat of danger, that can cause serious physical injuries or death.



For a POTENTIALLY dangerous situation, that will cause serious physical injuries or death.



For a POTENTIALLY dangerous situation, that could lead to minor physical injuries and damage to property.



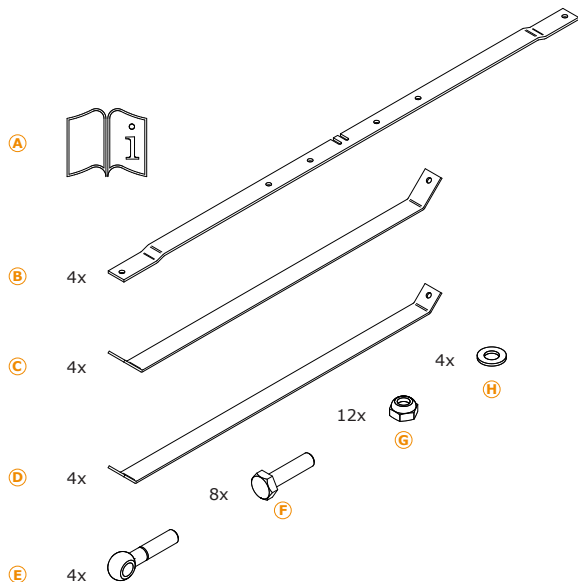
Supplementary information / instruction



Correct



Incorrect

**A) Instruction manual****B) T1 Trapezoidal metal sheet frame:** 1.0037 blue galvanized**C) T2 Trapezoidal metal sheet frame:** 1.0037 blue galvanized**D) T3 trapezoidal metal sheet frame:** 1.0037 blue galvanized**E) Eye bolt M10x50:** Steel, galvanized**F) Hexagon screw M10x40:** Steel, galvanized**G) Locknut M10:** Steel, galvanized**H) M10 washer:** Steel, galvanized

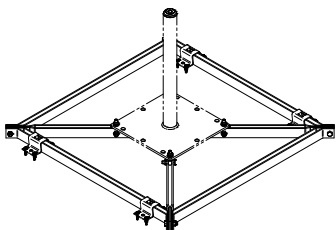
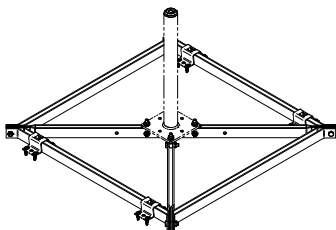
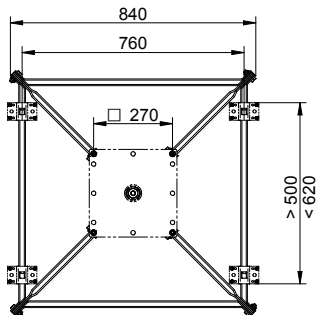
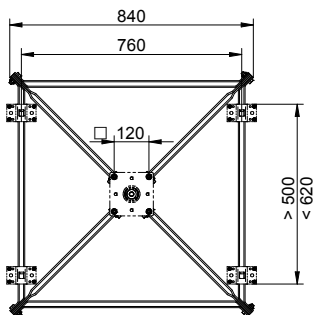
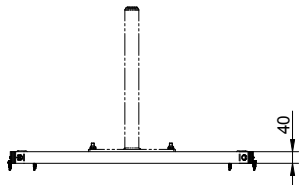
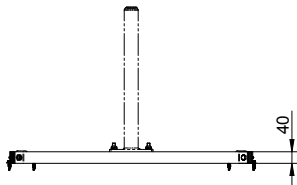
4

DIMENSIONS

[mm]

Dimension for assembly of the
INNOTECH "AIO-STA-10" or
"EAP-STABIL-10"

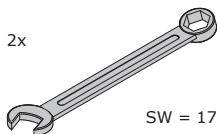
Dimension for assembly of
the INNOTECH "AIO-STA-12"



5

INSTALLATION TOOLS

[mm]



6

INSTALLATION

The trapezoidal metal sheet frame INNOTECH "BEF-303" is suitable for a variety of applications because it perfectly leads the force on the substructure. INNOTECH "BEF-303" is designed for the installation of single anchorage points in accordance with EN 795 A and for the installation of the ALLinONE cable system in accordance with EN 795 C.



DANGER

RISK TO LIFE if NOT properly installed.

- Install INNOTECH "BEF-303" correctly in accordance with the instruction manual.
- Install INNOTECH "BEF-303" on a trapezoidal metal sheet with a **material strength of a minimum of 0.6 mm** (Figure 1).
- Keep clear a **minimum of 1.50 m** from the end of the roof deck (Figure 2).
- Ensure that you adhere to the instructions for installation and use of the corresponding component (INNOTECH "AIO-STA-10/12" or "EAP-STABIL-10").

Figure 1

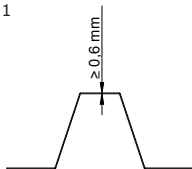
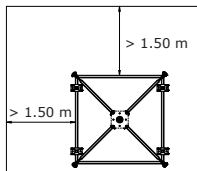


Figure 2

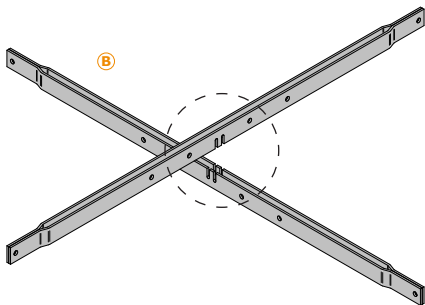


6

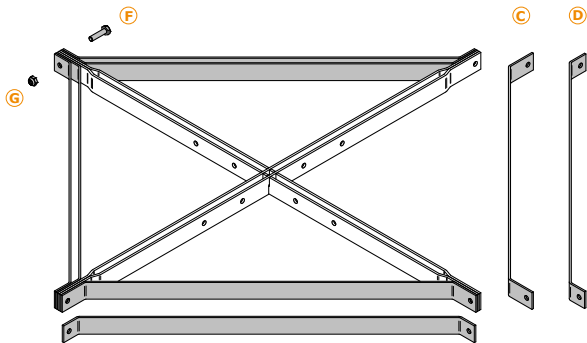
INSTALLATION

6.1 ASSEMBLY OF THE TRAPEZOIDAL METAL SHEET FRAME

- 1.** Assemble the T1 (B) trapezoidal metal sheet frames and put them together diagonally on the slots on a cross.



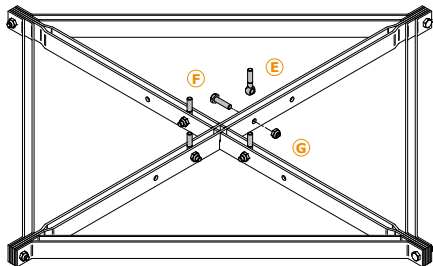
- 2.** Position the T2 trapezoidal metal sheet frame (C) and the T3 trapezoidal metal sheet frame (D). Secure with the hexagonal screw (F) and the lock nuts (G).



6

INSTALLATION

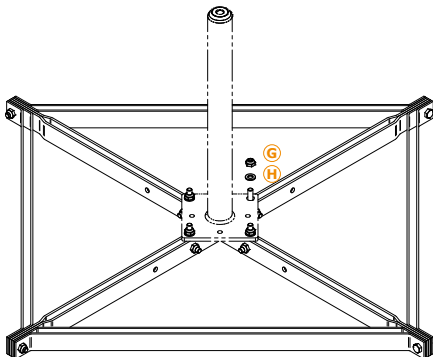
- 3.** Secure the eye bolts (E) with the hexagonal screw (F) and the lock nuts (G).



Secure the eye bolts not before aligning them on the base plate.

4.

Install INNOTECH "AIO-STA-10" and "EAP-STABIL-10" or INNOTECH "AIO-STA-12" on the trapezoidal metal sheet frames.

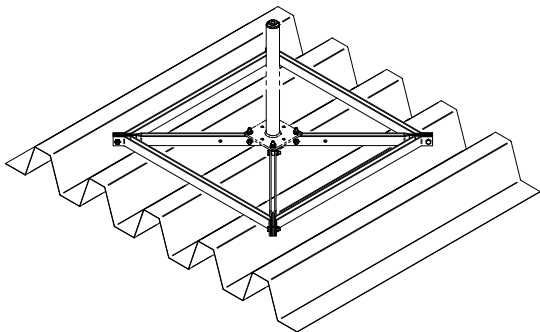


6

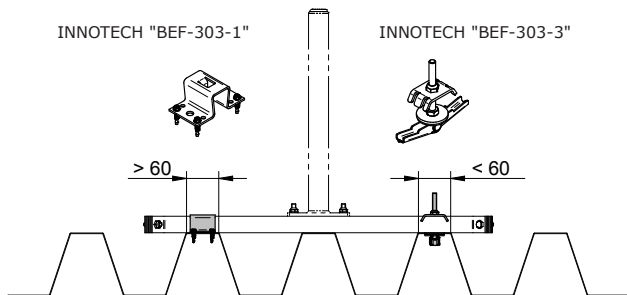
INSTALLATION

6.2 INSTALLATION ON ONE TRAPEZOIDAL STEEL BEARING SHEET

- 1.** Align the trapezoidal metal sheet frame parallel to the trapezoidal metal sheets and also uniformly distributed on the high beading.

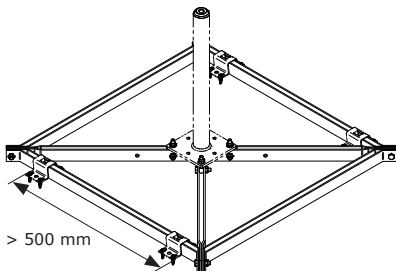


- 2.** Securing to the trapezoidal sheet is dependent on the width of the high beading:
1. Width of high beading **greater than 60 mm** - INNOTECH "BEF-303-1" or
 2. Width of high beading **less than 60 mm** - INNOTECH "BEF-303-3"



6

INSTALLATION



Secure INNOTECH "BEF-303-1" and "BEF-303-3" around the external high beading. The clearance should be at least 500 mm. Refer to the relevant assembly sheets for details!

7

DEVELOPMENT & SALES

INNOTECH Arbeitsschutz GmbH, Laizing 10, 4656 Kirchham / Austria.
www.innotech-safety.eu

